



Invacare eForms offer new functionality!

Invacare is pleased to offer you an upgraded solution to your ordering process. Our enhanced order forms allow you to fill out a form electronically, print and fax the form, save and email* it to Customer Service, or maintain the business practices that work for you today. The format has been revised to reveal a cleaner look with electronic selection and input functions.

*Saving and emailing the eForms is available with Acrobat Professional software

If you are using Adobe Reader

- **View** and download all forms
- **Save** blank versions of the forms to your desktop
- **Complete** forms electronically
- **Print** blank or completed forms
- **Fax** completed forms to Customer Service

Please note: The 'Email' button at the end of the form will not work with Adobe Reader. The 'Email' button will only work while using Adobe Acrobat Professional.

If you are using Adobe Acrobat Professional

- **View** and download all forms
- **Save** blank AND completed versions of the forms to maintain electronic records
- **Complete** forms electronically
- **Print** blank or completed forms
- **Fax** completed forms to Customer Service
- **Email** completed forms to Customer Service by using the 'Email' button at the end of the form.

For information on downloading Adobe Reader for free, or purchasing Adobe Acrobat Professional, please visit www.adobe.com.

Top End® Pro Tennis™ Wheelchair

Price List and Order Form

www.topendwheelchair.com

Please fax order to TopEnd at 727-522-1007
For questions call: 800-532-8677 or 727-522-8677

Or order by email: TopEndOrders@invacare.com
To order literature: 800-828-6282



TRANSACTION TYPE:

- Order Quote

Provider Name _____ Date _____ Email _____

Account # _____ P.O. # _____ Phone # _____ Fax # _____

Address _____ City _____ State _____ Zip Code _____

Customer Name _____ Email _____ Phone # _____

Address _____ City _____ State _____ Zip Code _____

Ship order to: Provider Customer

Sales Order Number _____

Order will ship to Provider unless otherwise noted.

Internal Use Only

CHAIR TYPE

- SPTN Top End Pro Tennis Aluminum Wheelchair \$2,395.00

1. SEAT WIDTH

- W12 12" Seat Width No Charge
 W13 13" Seat Width No Charge
 W14 14" Seat Width No Charge
 W15 15" Seat Width No Charge
 W16 16" Seat Width No Charge
 W17 17" Seat Width No Charge
 W18 18" Seat Width No Charge
 W19 19" Seat Width No Charge
 W20 20" Seat Width No Charge

2. SEAT DEPTH

Screw on seat upholstery is standard. Please specify depth below.

- D12 12" Depth No Charge
 D13 13" Depth No Charge
 D14 14" Depth No Charge
 D15 15" Depth No Charge
 D16 16" Depth No Charge
 D17 17" Depth No Charge
 D18 18" Depth No Charge

3. SEAT EXTENSIONS/HANDLES

- None Standard
 Right Only No Charge
 Left Only No Charge
 Right and Left (both) No Charge

4. ADJUSTABLE FRAME HEIGHT (CHOOSE TALL OR SHORT)

- Tall No Charge

Front Seat Height 19" - 21" Set at _____
19" is standard.

Rear Seat Height 15" - 21" Set at _____
17" is standard.

- Short No Charge

Front Seat Height 17" - 19" Set at _____
18" is standard.

Rear Seat Height 13" - 19" Set at _____
16" is standard.

5. FOOTREST

- Platform Footrest (with Velcro strap) Standard
Platform footrest includes Adjustable Angle Plate with Toe Stop, and Velcro Strap. Footrest adjusts Up/Down, Fore/Aft, Angle.
 TER124 Footrest Click Strap Upgrade \$75.00

6. AXLE POSITION (CENTER OF GRAVITY)

Measure the user's existing chair from the Front of the Backpost, horizontally (as shown in side view, page 1) to the center of the rear axle.

- Adjustable Axle Position: 3.5" - 6" Set at: _____

5" is standard.

Adjustable Center of Gravity: Non-folding angle backrest. If side guards are desired, clamp-on style is the only compatible option.

7. WHEEL BASE

- 15" (Short) No Charge
 17" (Medium) Standard
 19" (Long) No Charge

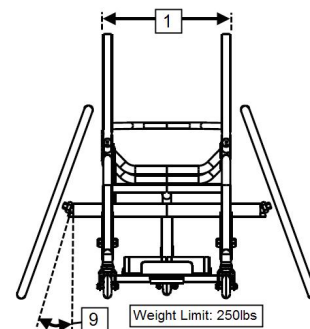
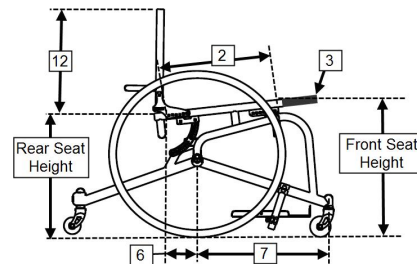
Wheel Base Guide			
Seat Depth	14"	15", 16"	17", 18"
Recommended Wheel Base	15" (Short)	17" (Medium)	19" (Long)

8. ANTI-TIP/5th Wheel

- Fixed Single Anti-tip Standard
 TER102 Telescoping \$200.00

9. CAMBER (NO OTHER CAMBER AVAILABLE)

- 15° No Charge
 18° Standard
 20° No Charge



All prices subject to change without notice. All prices in U.S. dollars. All orders F.O.B. Pinellas Park, Florida USA

For the most current pricing information go to www.invacare.com.

Top End® Pro Tennis™ Wheelchair

Wheel Size Guide			
Rear Seat Height	16" or less	16.5" - 19.0"	19.0" - 21.0"
Recommended Wheel Size	24" (540)	25" (559)	26" (590)

10. REAR WHEEL OPTIONS

- Rear Wheel Size Choose One
- 24" (540) Rear Wheel Size No Charge
- 25" (559) Rear Wheel Size No Charge
- 26" (590) Rear Wheel Size No Charge
- Sun Performance Wheels Standard
- TER67 Spinergy™ Spox (3mm) upgrade (24 spokes) \$695.00
- Black See Above
- Yellow See Above
- White See Above
- Red See Above
- Blue See Above
- TER131 Spinergy SLX (4mm) upgrade (24 spokes) \$895.00
- Black See Above
- Yellow See Above
- White See Above
- Red See Above
- Blue See Above
- TER143 Sun Equalizer Sport Upgrade \$250.00
 (48 spoke, cross lacing pattern with 12 tab pushrims for 25" & 26")
 (36 spoke, cross lacing pattern with 6 tab pushrim for 24")
- TER101 Kenda® Tires \$75.00
- Red See Above
- Yellow See Above
- TER21 Spokeguards \$75.00
- Clear See Above
- Black See Above

11. PUSHRIMS, ANODIZED (ALUMINUM)

- Standard Mount Standard
- Close Mount No Charge
- TER40 Cut Tabs Aluminum pushrim \$40.00
- TER8 Coated Pushrims \$100.00

12. BACK HEIGHT

Backrest is fixed, non-folding, at an adjustable angle. Adjustable Tension Back Upholstery is standard.

- Short 9"-11" No Charge
- Low 11"-14" Standard
- Med 14"-18" No Charge

SIDE GUARDS

- TER95 Clamp-On Fixed aluminum side guards \$125.00

Comments

SAFETY AND COMFORT OPTIONS

- TER14 Cushion, soft \$75.00
- 2" See Above
- 3" See Above
- TER33 Cushion, hard \$125.00
- 2" See Above
- 3" See Above
- 4" See Above
- TER35 Frame protectors - rear \$20.00
Required for tournament play.
- TER126 Click strap large (pad length~12") \$86.00
- TER125 Click strap med (pad length~10") \$80.00
- TER124 Click strap small (pad length~8") \$75.00
- TER128 D-Ring positioning belt \$100.00
- RACE22 Top End T-Shirt \$10.00
- Large See Above
- Extra Large See Above

FRAME COLOR AND UPHOLSTERY

UPHOLSTERY

- Black Standard
- UPH1 Woodland Camouflage \$100.00
- UPH2 Digital Desert Camouflage \$100.00

CONTEMPORARY COLORS

- 24P Wet Black No Charge
- 115P Black Prism No Charge
- 29P White Snow No Charge
- 60P Silver Metallic No Charge
- 71P Silver Vein No Charge
- 134P Copper Penny No Charge

WAY COOL COLORS

- 62P Electric Blue No Charge
- 105P Midnight Blue No Charge
- 122P Cosmic Blue No Charge
- 127P Grasshopper Green No Charge
- 125P Emerald Green No Charge
- 104P Electric Teal No Charge

TOO HOT COLORS

- 117P Tangerine Red No Charge
- 120P Grape Madness No Charge
- 61P Electric Red No Charge
- 132P Safety Yellow No Charge
- 116P Sunkissed Orange No Charge

**NOTE: All specifications and dimensions are approximate.
 For the most current pricing information go to www.invacare.com.**

Invacare Corporation

www.invacare.com

TOP END

Sports and Recreation Products
 4501 63rd Circle North
 Pinellas Park FL USA
 33781-5914

©2010 Invacare Corporation

All rights reserved. Trademarks are identified by the symbols ™ and ®. All trademarks are owned by or licensed to Invacare Corporation unless otherwise noted. Spinergy™ is a registered trademark of Spinergy Inc. Sun is a registered trademark of Sun Components Inc. Kenda is a registered trademark of Kenda Rubber Industrial Co. Ltd. Specifications and prices are subject to change without notification.

